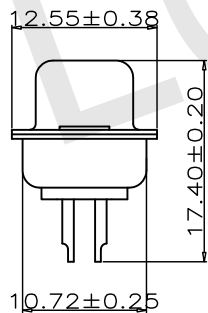
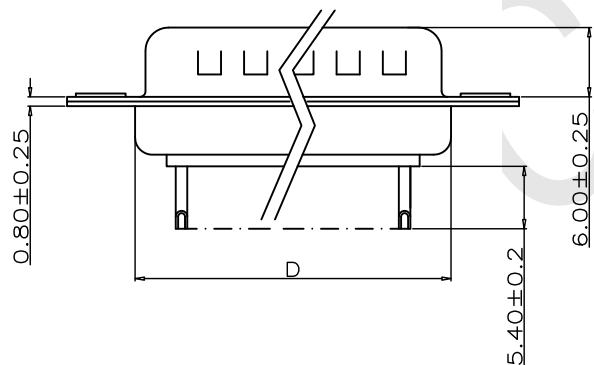
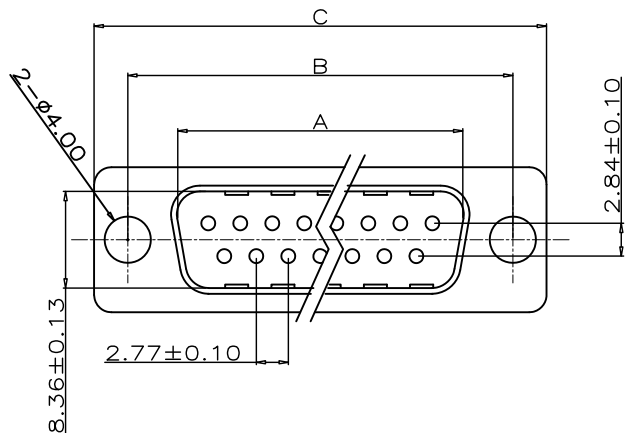




REVISIONS				
LTR	DESCRIPTION	DATE	DWN	APVD
A	RELEASED	01Jan16	AW	WK



NOTE:

- MATERIALS AND FINISHED
INSULATOR : PBT OR HIGH TEMPERATURE PLASTIC UL
94V-0 RATED
SHELL : ZINC PLATED TIN PLATED OR NICKEL PLATED STEEL
CONTACTS : BRASS, GOLD PLATED OVER NICKEL
- ELECTRICAL CHARACTERISTICS
CURRENT RATING : 5.0 AMP DC
VOLTAGE RATING: 500 V DC
CONTACT RESISTANCE :25 MILLIOHMS MAX.
DIELECTRIC WITHSTANDING VOLTAGE : 1000 V AC MIN.
INSULATION RESISTANCE : 1000 MEGAOHMS MIN.
SALT SPRAY:48 HOURS
- ENVIRONMENTAL
OPERATING TEMPERATURE: -55°C ~ +85°C
STORAGE TEMPERATURE:-55°C ~ +105°C
- TO CONFORM TO SINGATRON HAZARDOUS SUSTANCE FREE SPEC
- GREEN PRODUCT IDENTIFICATION LABEL ON PACKAGING "G. P. PASS"

09	16.92	24.99	30.81	19.28
15	25.25	33.32	39.14	27.51
25	38.96	47.04	53.04	41.28
37	55.42	63.50	69.32	57.71
No. of Contact	A±0.25	B±0.15	C±0.38	D±0.25

YL013-016-XXX
PART NUMBER

THIS DRAWING IS A CONTROLLED DOCUMENT.		DWN A. WU 01Jan2016	东莞市宇亮电子有限公司 DONG GUAN YU LIANG ELECTRONICS CO.,LTD	
DIMENSIONS: mm		CHEK S. CHIEN 01Jan2016		
TOLERANCES UNLESS OTHERWISE SPECIFIED:		APVD Abel 01Jan2016	DB Male Type	
0 PLC ± 0.50 1 PLC ± 0.30 2 PLC ± 0.20 3 PLC ± 0.15 4 PLC ± -		PRODUCT SPEC -		
THIRD ANGLE PROJECTION		WEIGHT -	SIZE A4	DRAWING No. YL013-016
CUSTOMER DRAWING			SCALE 1 : 1	SHEET 1 of 1