

REVISIONS				
LTR	DESCRIPTION	DATE	DWN	APVD
A	RELEASED	01Jan16	AW	WK

NOTE:

1.MATERIAL:

HOUSING:THERMOPLASTIC BLACK UL94V-0.
 RJ CONTACT:PHOSPHER BRONZE T=0.35mm.
 SHELL:COPPY ALLOY T=0.20mm.
 LED PIN: T=0.50mm.

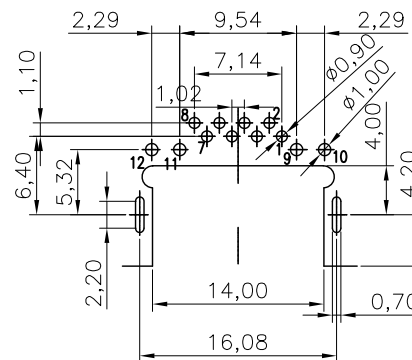
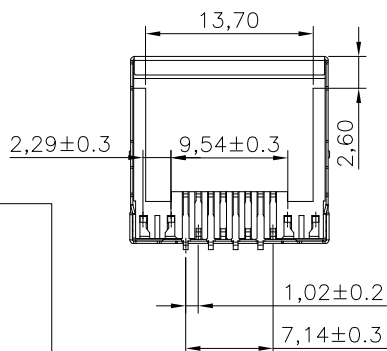
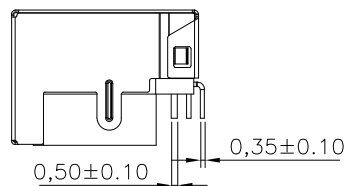
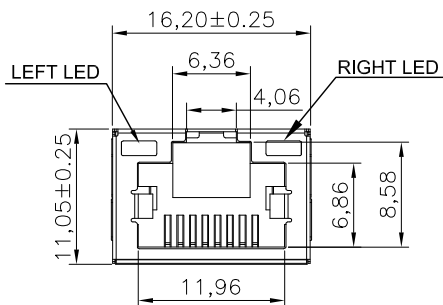
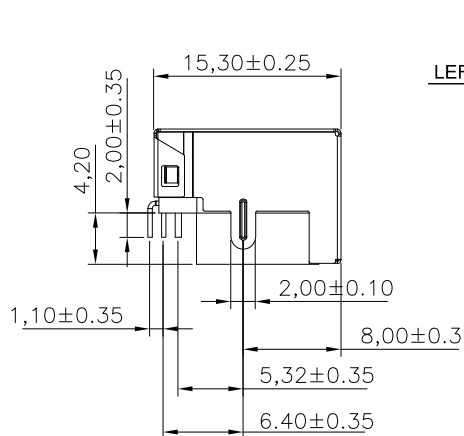
2. FINISH :

RJ CONTACT: AU/100u" SN/50u" NI PLATED
 SHELL :NI PLATED

3. MECHANICAL CHARACTERISTICS :

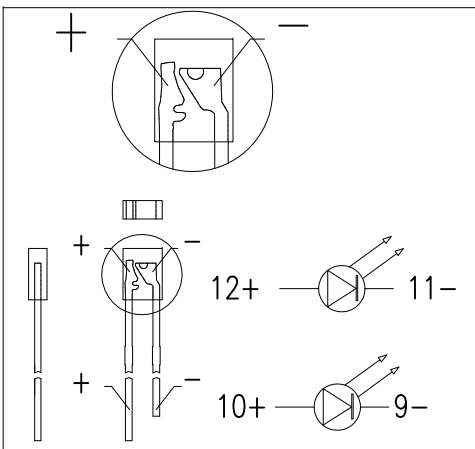
INSERTION FORCE : 22N MAX.
 REMOVAL FORCE(WITHOUT PLUG LOCK) : 22N MAX.
 PLUG LOCKING RETENTION FORCE : 50N MIN./60sec
 DURABILITY : 750 TIMES

4. OPERATING TEMPERATURE : 0°C ~ 70°C



PCBLAYOUT TOP VIEW
TOL:±0.05

YL005-014-XXX
PART NUMBER



THIS DRAWING IS A CONTROLLED DOCUMENT.		DWN A. WU 01Jan2016	东莞市宇亮电子有限公司 DONG GUAN YU LIANG ELECTRONICS CO.,LTD	
DIMENSIONS: mm		CHEK S. CHIEN 01Jan2016		
TOLERANCES UNLESS OTHERWISE SPECIFIED:		APVD Abel 01Jan2016	NAME RJ45 沉板4.2 DIP有壳有灯	
THIRD ANGLE PROJECTION		PRODUCT SPEC —	SIZE A4	DRAWING No. Y=YL005-014
ANGLES ± 3°		WEIGHT —	CUSTOMER DRAWING	
		CUSTOMER DRAWING	SCALE 1 : 1	SHEET 1 of 1