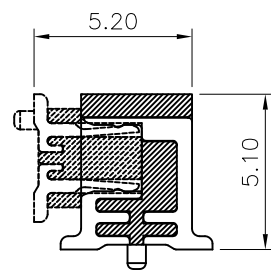
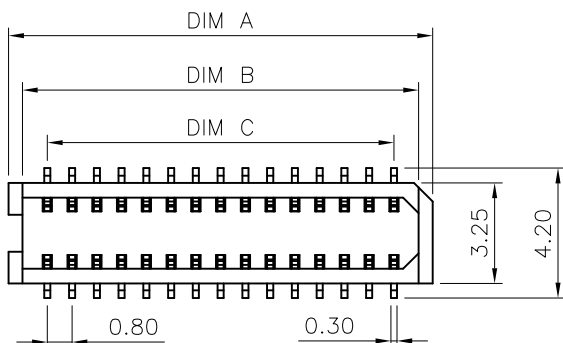


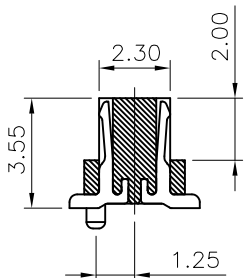
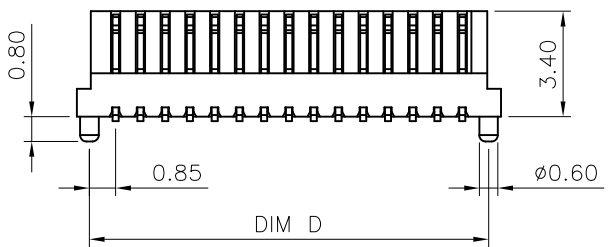


REVISIONS				
LTR	DESCRIPTION	DATE	DWN	APVD
A	RELEASED	01Jan16	AW	WK

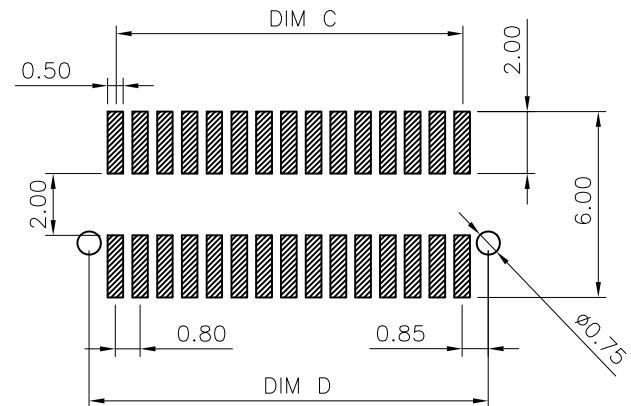


MATING DRAW REF

**ELECTRICAL:**  
 VLOTAG RATING:50V AC(RMS)/DC  
 CURRENT RATING:0.5A AC(RMS)/DC  
 CONTACT RESISTANCE:90MΩ MAX  
 INSULATION RESISTANCE:500MΩ MIN  
 DIELECTRIC WITHSTANDING VOLTAGE:150V AC R.M.S  
 OPERTING TEMPERATURE:-30°C~+80°C  
**MATERIRLS**  
 HOUSING:HIGH TEMPERATURE PLASTIC  
 UL94V-0  
 TERMINAL:COPPER ALLOY  
 CONTACT:PHOSPHOR BRONAE,GOLD PLATING;



No. of Contacts	Dimensions			
	A	B	C	D
10 (2*5)	5.7	4.8	3.2	4.9
12 (2*6)	6.5	5.6	4.0	5.7
14 (2*7)	7.3	6.4	4.8	6.5
16 (2*8)	8.1	7.2	5.6	7.3
18 (2*9)	8.9	8.0	6.4	8.1
20 (2*10)	9.7	8.8	7.2	8.9
24 (2*12)	11.3	10.4	8.8	10.5
26 (2*13)	12.1	11.2	9.6	11.3
28 (2*14)	12.9	12.0	10.4	12.1
30 (2*15)	13.7	12.8	11.2	12.9
32 (2*16)	14.5	13.6	12.0	13.7
50 (2*25)	21.7	20.8	19.2	20.9



RECOMMENDED PCB LAYOUT

YL007-012-XXX  
 PART NUMBER

THIS DRAWING IS A CONTROLLED DOCUMENT.		DWN A. WU 01Jan2016	<b>东莞市宇亮电子有限公司</b> DONG GUAN YU LIANG ELECTRONICS CO.,LTD	
DIMENSIONS: mm		CHEK S. CHIEN 01Jan2016		
TOLERANCES UNLESS OTHERWISE SPECIFIED:		APVD Abel 01Jan2016	0.80 PITCH 侧插公座 BOARD TO BOARD	
 THIRD ANGLE PROJECTION		PRODUCT SPEC —	SIZE A4	DRAWING No. YL007-012
0 PLC ± 0.50 1 PLC ± 0.30 2 PLC ± 0.20 3 PLC ± 0.15 4 PLC ± — ANGLES ± 3°		WEIGHT —	CUSTOMER DRAWING	
		SCALE 1 : 1		SHEET 1 of 1